

PANEL PICK LIST		
QUANTITY	PRODUCT	PART#
1	DIN-EN-6X18	6505325
1	DIN-PWS60	6507733
1	DIN-CENCN-2-POE	6507140
1	DIN-DALI-2	6503777
1	CP4N	6510419
1	CEN-SWPOE-16	6505820
1	GLA-RACK-VPM2	#N/A

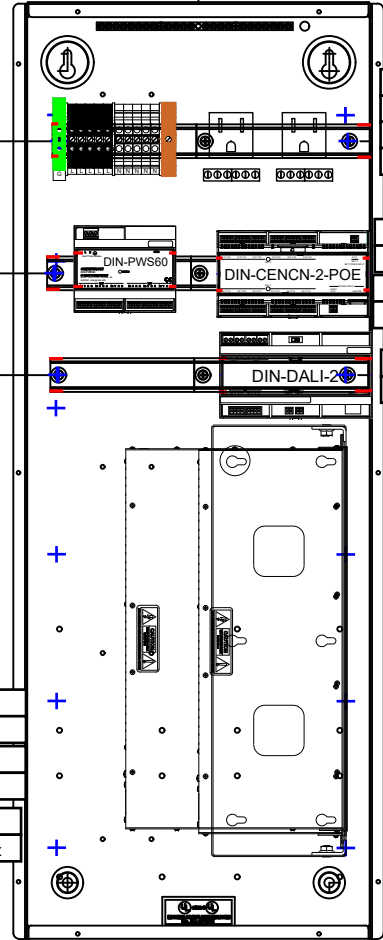
MODEL	PART #
13" DIN RAIL (18 din)	2030852A

MODEL	PART #
13" DIN RAIL (18 din)	2030852A

MODEL	PART #
13" DIN RAIL (18 din)	2030852A

MODEL	PART #
CP4N	6510419
MODEL	PART #
CEN-SWPOE-16	6505820
MODEL	PART #
GLA-RACK-VPM2	xxxxxxxxxxxx

CABINET	
MODEL	PART #
DIN-EN-6X18	6505325



MODEL	PART #
WAGO	2044879
MODEL	PART #
WAGO	2044879

MODEL	PART #
DIN-PWS60	6507733
MODEL	PART #
DIN-CENCN-2-POE	6507140

MODEL	PART #
DIN-DALI-2	6503777

**CRESTRON ELECTRONICS INC.**  
ELECTRICAL RATINGS:

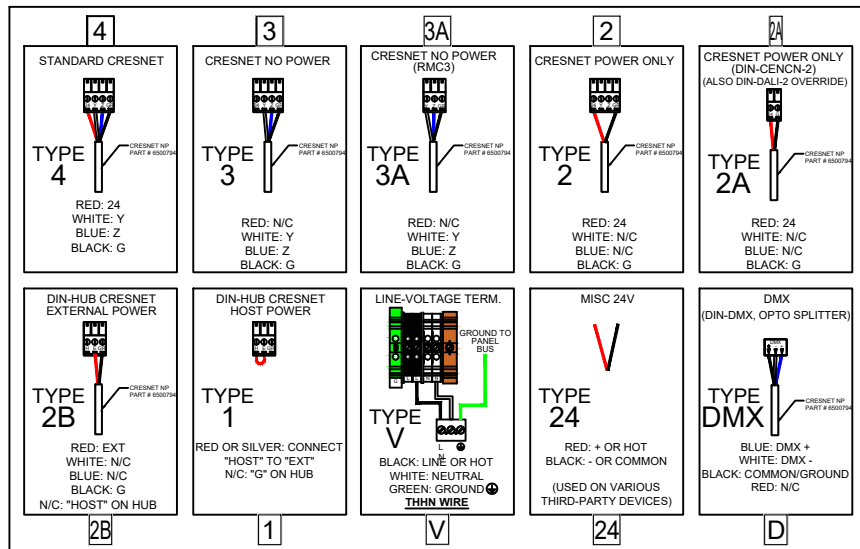
VOLTS VAC	PHASE	FREQ Hz	FLA (TOTAL) AMP
120-240	1	50/60	1 CKT @ 20A

N/A	HP	LARGEST MOTOR
SHORT CIRCUIT CURRENT		
N/A	kA RMS,	240 V MAXIMUM

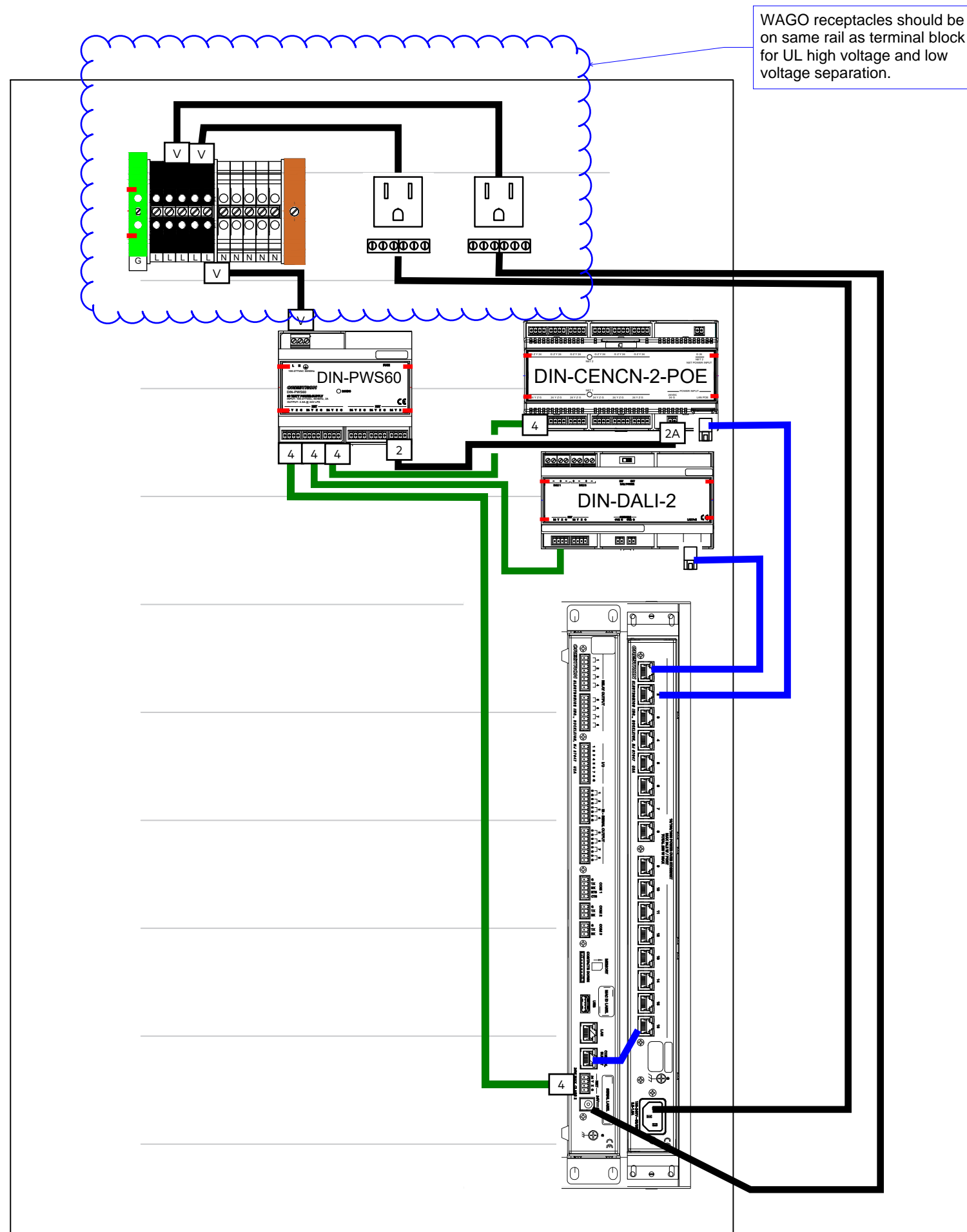
BRANCH CIRCUIT PROTECTION SHALL BE PROVIDED BY INSTALLER SEE MODULE MANUAL (S) FOR TERMINAL TIGHTENING TORQUE VALUES

**U/L LABEL LAYOUT**

PANEL ID



NOTES:  
 INSTALL CRESNET CABLE IN ALL LOCATIONS AS SHOWN.  
 INSTALL ALL PHOENIX CONNECTORS.



PANEL ID